

SD1 Series

General Purpose AC Variable Speed Inverter Drives



- 1 Phase 110/120V 50/60Hz **0.4~1.1kW** (0.5~1.4HP)
- 1 Phase 200/240V 50/60Hz **0.4~2.2kW** (0.5~3HP)
- 1 Phase 230V 50/60Hz **0.2~3.7kW** (0.27~5.5HP) 1 Phase Output **NEW**
- 3 Phase 200/240V 50/60Hz **0.4~7.5kW** (0.5~10HP)
- 3 Phase 380/440V 50/60Hz **0.75~110kW** (1~150HP)

- IP20
- Torque Vector Control
- STO (safe torque off)
- Up to 150% Starting Torque
- Front Mounted RJ45 Socket (<2.2kW)
- Din Rail Mountable (<2.2kW)
- Fixed Keypad with Potentiometer (<2.2kW)
- Detachable Keypad (≥4kW)
- HDI Input (pulse)
- 2 Analogue Inputs
- 1/2 Analogue Outputs
- 2 Output Relays (>2.2kW)
- Transistor Output
- 4/5 Digital Inputs
- PNP/NPN Selectable
- In Built Modbus RTU / RS485
- PID Control as standard
- Internal DC Reactor (≥18.5kW)
- DC Injection Braking
- Internal Brake Chopper (≤37kW)
- Motor Auto-tune (static & dynamic)
- Internal C3 Filter (≥4kW), C3 Filter Option (<2.2kW)
- C1 & C2 Filter Options (entire range)
- Safety Circuit (SIL2/SIL3 - model dependant)
- CE, RoHS & Reach Compliant
- TUV Approved
- UL / cUL Approval on selected models
- 3 Year Warranty



Options & Ordering Codes

SD1 - 2.5A - 11

| Output Power kW (HP) | | Input 110-120V Single Phase Output 230VAC Three Phase |
|----------------------|------|--|
| 0.4kW (0.5HP) | 2.5A | |
| 0.75kW (1HP) | 4.2A | |
| 1.1kW (1.4HP) | 5.8A | |

SD1 - 2.5A - 21

| Output Power kW (HP) | | Input 200-240V Single Phase |
|----------------------|------|-----------------------------------|
| 0.4kW (0.5HP) | 2.5A | |
| 0.75kW (1HP) | 4.2A | |
| 1.5kW (2HP) | 7.5A | |
| 2.2kW (3HP) | 10A | |

NEW SD1 - 4.2A - 21 - 1

| Output Power kW (HP)* | | Input 200-240V Single Phase | Output 240V Single Phase |
|-----------------------|-------|-----------------------------------|--------------------------------|
| 0.2kW (0.27HP) | 4.2A | | |
| 0.4kW (0.5HP) | 7.2A | | |
| 0.75kW (1HP) | 10.2A | | |
| 1.5kW (2HP) | 14A | | |
| 2.2kW (3HP) | 25A | | |
| 3.7kW (5.5HP) | 35A | | |

SD1 - 2.5A - 23

| Output Power kW (HP) | | Input 200-240V Three Phase |
|----------------------|------|----------------------------------|
| 0.4kW (0.5HP) | 2.5A | |
| 0.75kW (1HP) | 4.2A | |
| 1.5kW (2HP) | 7.5A | |
| 2.2kW (3HP) | 10A | |
| 4kW (5.5HP) | 16A | |
| 5.5kW (7.5HP) | 20A | |
| 7.5kW (10HP) | 30A | |

SD1 - 2.5A - 43

| Output Power kW (HP) | | Input 380-440V Three Phase |
|----------------------|-------|----------------------------------|
| 0.75kW (1HP) | 2.5A | |
| 1.5kW (2HP) | 4.2A | |
| 2.2kW (3HP) | 5.5A | |
| 4kW (5.5HP) | 9.5A | |
| 5.5kW (7.5HP) | 14A | |
| 7.5kW (10HP) | 18.5A | |
| 11kW (15HP) | 25A | |
| 15kW (20HP) | 32A | |
| 18.5kW (25HP) | 38A | |
| 22kW (30HP) | 45A | |
| 30kW (40HP) | 60A | |
| 37kW (50HP) | 75A | |
| 45kW (60HP) | 92A | |
| 55kW (75HP) | 115A | |
| 75kW (100HP) | 150A | |
| 90kW (125HP) | 180A | |
| 110kW (150HP) | 215A | |

* Please see p.3 for recommended max. motor ratings.

SD1 Series

General Purpose AC Variable Speed Inverter Drives



Technical Datasheet

Options & Ordering Codes - Filters, Reactors & Accessories

| | Model | C3 Filter | Current | C2 Filter | Current | Input Reactor | Output Reactor |
|----------------------|-------------|-------------|---------|-------------|---------|---------------|----------------|
| Single Phase 110V | SD1-2.5A-11 | SD1-RFC3-10 | 10A | SD1-RFC2-10 | 10A | - | - |
| | SD1-4.2A-11 | SD1-RFC3-10 | 10A | SD1-RFC2-25 | 25A | - | - |
| | SD1-5.8A-11 | SD1-RFC3-10 | 10A | SD1-RFC2-25 | 25A | - | - |

| | | | | | | | |
|----------------------|-------------|-------------|-----|-------------|-----|---|---|
| Single Phase 220V | SD1-2.5A-21 | SD1-RFC3-10 | 10A | SD1-RFC2-10 | 10A | - | - |
| | SD1-4.2A-21 | SD1-RFC3-10 | 10A | SD1-RFC2-10 | 10A | - | - |
| | SD1-7.5A-21 | SD1-RFC3-10 | 10A | SD1-RFC2-16 | 16A | - | - |
| | SD1-10A-21 | SD1-RFC3-10 | 10A | SD1-RFC2-16 | 16A | - | - |

NEW

| | | | | | | | |
|---|----------------|-------------|-----|-------------|-----|---|---|
| Single Phase Input Single Phase Output 230V | SD1-4.2A-21-1 | SD1-RFC3-10 | 10A | SD1-RFC2-10 | 10A | - | - |
| | SD1-7.2A-21-1 | SD1-RFC3-10 | 10A | SD1-RFC2-10 | 10A | - | - |
| | SD1-10.2A-21-1 | SD1-RFC3-10 | 10A | SD1-RFC2-25 | 25A | - | - |
| | SD1-14A-21-1 | SD1-RFC3-10 | 10A | SD1-RFC2-25 | 25A | - | - |
| | SD1-25A-21-1 | Internal | - | SD1-RFC2-45 | 45A | - | - |
| | SD1-35A-21-1 | Internal | - | SD1-RFC2-65 | 65A | - | - |

| | | | | | | | |
|---------------------|-------------|------------|----|-------------|-----|------------|------------|
| Three Phase 220V | SD1-2.5A-23 | SD1-RFC3-7 | 7A | SD1-RFC2-6 | 6A | ACLC-1.5-4 | OCLC-1.5-4 |
| | SD1-4.2A-23 | SD1-RFC3-7 | 7A | SD1-RFC2-6 | 6A | ACLC-1.5-4 | OCLC-1.5-4 |
| | SD1-7.5A-23 | Internal | - | SD1-RFC2-16 | 16A | ACLC-4.0-4 | OCLC-4.0-4 |
| | SD1-10A-23 | Internal | - | SD1-RFC2-16 | 16A | ACLC-4.0-4 | OCLC-4.0-4 |
| | SD1-16A-23 | Internal | - | SD1-RFC2-32 | 32A | ACLC-5.5-4 | OCLC-5.5-4 |
| | SD1-20A-23 | Internal | - | SD1-RFC2-32 | 32A | ACLC-7.5-4 | OCLC-7.5-4 |
| | SD1-30A-23 | Internal | - | SD1-RFC2-45 | 45A | ACLC-15-4 | OCLC-15-4 |

| | | | | | | | |
|---------------------|--------------|------------|--------------|--------------|------------|------------|------------|
| Three Phase 380V | SD1-2.5A-43 | SD1-RFC3-7 | 7A | SD1-RFC2-6 | 6A | ACLC-1.5-4 | OCLC-1.5-4 |
| | SD1-4.2A-43 | SD1-RFC3-7 | 7A | SD1-RFC2-6 | 6A | ACLC-1.5-4 | OCLC-1.5-4 |
| | SD1-5.5A-43 | SD1-RFC3-7 | 7A | SD1-RFC2-6 | 6A | ACLC-2.2-4 | OCLC-2.2-4 |
| | SD1-9.5A-43 | Internal | - | SD1-RFC2-16 | 16A | ACLC-4.0-4 | OCLC-4.0-4 |
| | SD1-14A-43 | Internal | - | SD1-RFC2-16 | 16A | ACLC-5.5-4 | OCLC-5.5-4 |
| | SD1-18.5A-43 | Internal | - | SD1-RFC2-32 | 32A | ACLC-7.5-4 | OCLC-7.5-4 |
| | SD1-25A-43 | Internal | - | SD1-RFC2-32 | 32A | ACLC-11-4 | OCLC-11-4 |
| | SD1-32A-43 | Internal | - | SD1-RFC2-45 | 45A | ACLC-15-4 | OCLC-15-4 |
| | SD1-38A-43 | Internal | - | SD1-RFC2-45 | 45A | ACLC-18-4 | OCLC-18-4 |
| | SD1-45A-43 | Internal | - | SD1-RFC2-65 | 65A | ACLC-22-4 | OCLC-22-4 |
| | SD1-60A-43 | Internal | - | SD1-RFC2-65 | 65A | ACLC-37-4 | OCLC-37-4 |
| | SD1-75A-43 | Internal | - | SD1-RFC2-100 | 100A | ACLC-37-4 | OCLC-37-4 |
| | SD1-92A-43 | Internal | - | SD1-RF52-100 | 100A | ACLC-45-4 | OCLC-45-4 |
| | SD1-115A-43 | Internal | - | SD1-RFC2-150 | 150A | ACLC-55-4 | OCLC-55-4 |
| | SD1-150A-43 | Internal | - | SD1-RFC2-150 | 150A | ACLC-75-4 | OCLC-75-4 |
| SD1-180A-43 | Internal | - | SD1-RFC2-240 | 240A | ACLC-110-4 | OCLC-110-4 | |
| SD1-215A-43 | Internal | - | SD1-RFC2-240 | 240A | ACLC-110-4 | OCLC-110-4 | |

| Model | Description |
|------------|----------------------------------|
| SD1-KP | Remote Keypad |
| SD1-KP-CPY | Remote Keypad with Copy Function |
| SD1-KP-MB | Remote Keypad Mounting Bracket |



SD1-KP & SD1-KP-MB



SD1-RFC3-10



SD1 Series

General Purpose AC Variable Speed Inverter Drives



Technical Specifications

| Function Description | | Specification |
|-------------------------------|--------------------------------|---|
| Power Input | Input Voltage (V) | AC 1PH 110V (-15%) to 120V (+10%) AC 1PH 200V (-15%) to 240V (+10%) AC 1PH 200V (-15%) to 240V (+10%) 1PH Output AC 3PH 200V (-15%) to 240V (+10%) AC 3PH 380V (-15%) to 460V (+10%) |
| | Input Current (A) | Refer to the rated value |
| | Input Frequency (Hz) | 50Hz/60Hz, allowable range: 47 to 63Hz |
| Power Output | Output Voltage (V) | 0 to Input voltage (SD1-XXA-11 - AC 3ph 230VAC) |
| | Output Current (A) | Refer to the rated value |
| | Output Power (kW) | Refer to the rated value |
| | Output Frequency (Hz) | 0 to 400Hz |
| Technical Control Performance | Control Mode | SVPWM control, SVC |
| | Motor Type | Asynchronous motor, Permanent magnet motor (optional) |
| | Speed Regulation Ratio | Asynchronous motor 1:100 (SVC) |
| | Speed Control Precision | ±0.2% (SVC) |
| | Speed Fluctuation | ±0.3% (SVC) |
| | Torque Response | <20ms (SVC) |
| | Torque Control Precision | 10% (SVC) |
| | Starting Torque | 0.5Hz / 150% (SVC) |
| Running Control Performance | Overload Capacity | 150% of rated current: 1 minute; 180% of rated current: 10 seconds; 200% of rated current: 1 second |
| | Frequency Setup Mode | Digital, analog, pulse frequency, multi-step speed running, simple PLC, PID, Modbus communication. Shift between the set combination and set channel |
| | Auto-Adjustment of the Voltage | Automatic voltage regulation. Compensates for supply voltage transients |
| | Fault Protection Function | Provides comprehensive fault protection functions: Overcurrent; Overvoltage; Undervoltage; Overheating; Phase Loss; Overload etc. |
| Peripheral Interface | Speed Tracking Restart | Provides smooth ramping during start up |
| | Analog Input | 1 (AI2) 0-10V / 0-20mA and 1 (AI3) -10V to +10V |
| | Analog Output | 2 (AO1, AO2) 0-10V / 0-20mA |
| | Digital Input | 4 standard inputs (max. frequency: 1kHz) 1 high speed input (max. frequency: 50kHz) |
| | Digital Output | 1 Y1 terminal output |
| Other | Relay Output | 2 programmable relay outputs RO1A NO, RO1B NC, RO1C common terminal RO2A NO, RO2B NC, RO2C common terminal Contact capacity: 3A/250VAC |
| | Mounting Method | Wall & DIN rail mounting |
| | Ambient Operating Temperature | -10°C to +50°C (derating 1% for every additional 1°C when above 40°C) |
| | DC Reactor | Standard internal DC reactor for inverters (≥18.5kW) |
| | Installation Mode | Wall and rail installation of inverters (1PH/200V,3PH/380V, ≤2.2kW and 3PH/200V, ≤0.75kW) Wall and flange installation of inverters (3PH/380V, ≥4kW and 3PH/200V, ≥1.5kW) |
| | Braking Unit | Standard for inverters ≤37kW, optional for inverters of 45 to 110kW |
| | Protection Level | IP20 Note: Plastic cased inverter should be installed in a metal distribution cabinet, which conforms to IP20 (top surface conforms to IP3X) |
| | Cooling | Fan cooling |
| | Braking Unit | Built-in |
| | EMC Filter | Internal C3 filters for inverters 3PH/380V, ≥4kW and 3PH/200V, ≥1.5kW. Optional external filters to meet the requirement of IEC61800-3 C2, IEC61800-3 C3 For drives >4kW, if internal C3 filter is required, fit supplied jumper link to EMC/J10 observing all safety precautions |
| | Safety | All SD1 inverters comply to safety standards and are marked accordingly. STO function to SIL level 2/3 |

SD1 Series

General Purpose AC Variable Speed Inverter Drives



Technical Datasheet

Technical Specifications

| Single Phase 110V Input, Three Phase Output 230V | | | | | | | |
|--|--------------|-------|-------------------|--------------------|----------|---------------------------|-------------|
| Model | Output Power | | Input Current (A) | Output Current (A) | MCCB (A) | Cables (mm ²) | UL Approval |
| SD1-2.5A-11 | 0.4kW | 0.5HP | 8.1 | 2.5 | 20 | 4.0 | YES |
| SD1-4.2A-11 | 0.75kW | 1.0HP | 15.1 | 4.2 | 20 | 4.0 | YES |
| SD1-5.8A-11 | 1.1kW | 1.4HP | 20.0 | 5.8 | 30 | 4.0 | YES |

| Single Phase 230V Input, Three Phase Output 230V | | | | | | | |
|--|--------------|-------|-------------------|--------------------|----------|---------------------------|-------------|
| Model | Output Power | | Input Current (A) | Output Current (A) | MCCB (A) | Cables (mm ²) | UL Approval |
| SD1-2.5A-21 | 0.4kW | 0.5HP | 6.5 | 2.5 | 10.0 | 1.5 | YES |
| SD1-4.2A-21 | 0.75kW | 1.0HP | 9.3 | 4.2 | 16.0 | 1.5 | YES |
| SD1-7.5A-21 | 1.5kW | 2.0HP | 15.7 | 7.5 | 25.0 | 2.5 | YES |
| SD1-10A-21 | 2.2kW | 3.0HP | 24.0 | 10.0 | 40.0 | 2.5 | YES |

| Three Phase 230V Input, Three Phase Output 230V | | | | | | | |
|---|--------------|-------|-------------------|--------------------|----------|---------------------------|-------------|
| Model | Output Power | | Input Current (A) | Output Current (A) | MCCB (A) | Cables (mm ²) | UL Approval |
| SD1-2.5A-23 | 0.4kW | 0.5HP | 3.7 | 2.5 | 6.0 | 1.5 | YES |
| SD1-4.2A-23 | 0.75kW | 1.0HP | 5.0 | 4.2 | 10.0 | 1.5 | YES |
| SD1-7.5A-23 | 1.5kW | 2.0HP | 7.7 | 7.5 | 16.0 | 2.5 | YES |
| SD1-10A-23 | 2.2kW | 3.0HP | 11.0 | 10.0 | 25.0 | 2.5 | YES |
| SD1-16A-23 | 4kW | 5.5HP | 17.0 | 16.0 | 32.0 | 2.5 | - |
| SD1-20A-23 | 5.5kW | 7.5HP | 21.0 | 20.0 | 32.0 | 4 | - |
| SD1-30A-23 | 7.5kW | 10HP | 31.0 | 30.0 | 63.0 | 6 | - |

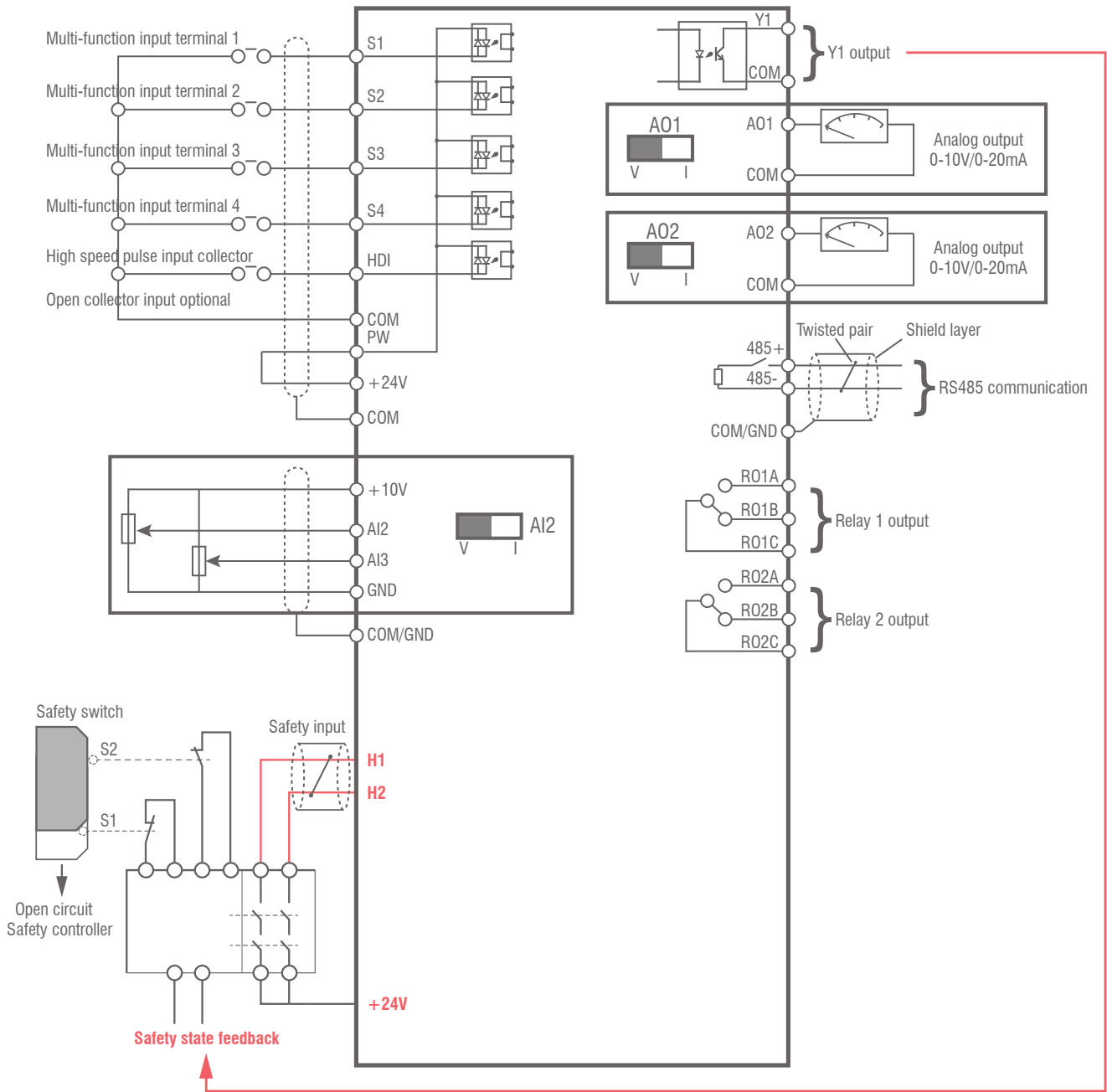
| Three Phase 380V Input, Three Phase Output 380V | | | | | | | |
|---|--------------|-------|-------------------|--------------------|----------|---------------------------|-------------|
| Model | Output Power | | Input Current (A) | Output Current (A) | MCCB (A) | Cables (mm ²) | UL Approval |
| SD1-2.5A-43 | 0.75kW | 1.0HP | 3.4 | 2.5 | 6.0 | 1.5 | YES |
| SD1-4.2A-43 | 1.5kW | 2.0HP | 5.0 | 4.2 | 10.0 | 1.5 | YES |
| SD1-5.5A-43 | 2.2kW | 3.0HP | 5.8 | 5.5 | 10.0 | 1.5 | YES |
| SD1-9.5A-43 | 4kW | 5.5HP | 13.5 | 9.5 | 25.0 | 2.5 | YES |
| SD1-14A-43 | 5.5kW | 7.5HP | 19.5 | 14.0 | 32.0 | 2.5 | YES |
| SD1-18.5A-43 | 7.5kW | 10HP | 25.0 | 18.5 | 40.0 | 4 | YES |
| SD1-25A-43 | 11kW | 15HP | 32.0 | 25.0 | 63.0 | 6 | YES |
| SD1-32A-43 | 15kW | 20HP | 40.0 | 32.0 | 63.0 | 6 | - |
| SD1-38A-43 | 18.5kW | 25HP | 47.0 | 38.0 | 100.0 | 10 | - |
| SD1-45A-43 | 22kW | 30HP | 51.0 | 45.0 | 100.0 | 16 | - |
| SD1-60A-43 | 30kW | 40HP | 70.0 | 60.0 | 125.0 | 25 | - |
| SD1-75A-43 | 37kW | 50HP | 80.0 | 75.0 | 160.0 | 25 | - |
| SD1-92A-43 | 45kW | 60HP | 98.0 | 92.0 | 200.0 | 35 | - |
| SD1-115A-43 | 55kW | 75HP | 128.0 | 115.0 | 200.0 | 50 | - |
| SD1-150A-43 | 75kW | 100HP | 139.0 | 150.0 | 250.0 | 70 | - |
| SD1-180A-43 | 90kW | 125HP | 168.0 | 180.0 | 315.0 | 95 | - |
| SD1-215A-43 | 110kW | 150HP | 201.0 | 215.0 | 350.0 | 120 | - |

| NEW Single Phase Input, Single Phase Output 230V | | | | | | | |
|--|--------------|--------|-------------------|--------------------|----------|---------------------------|-------------|
| Model | Output Power | | Input Current (A) | Output Current (A) | MCCB (A) | Cables (mm ²) | UL Approval |
| SD1-4.2A-21-1 | 0.2kW | 0.27HP | 6.5 | 4.2 | 10.0 | 1.5 | - |
| SD1-7.2A-21-1 | 0.4kW | 0.5HP | 9.3 | 7.2 | 16.0 | 1.5 | - |
| SD1-10.2A-21-1 | 0.75kW | 1.0HP | 15.7 | 10.2 | 25.0 | 2.5 | - |
| SD1-14A-21-1 | 1.5kW | 2.0HP | 24.0 | 14.0 | 40.0 | 2.5 | - |
| SD1-25A-21-1 | 2.2kW | 3HP | 38.0 | 25.0 | 63.0 | 6.0 | - |
| SD1-35A-21-1 | 3.7kW | 5.5HP | 52.0 | 35.0 | 100.0 | 16.0 | - |

SD1 Series

General Purpose AC Variable Speed Inverter Drives

Power & Control Connections



NOTE: This is a typical circuit which, depending on the rating is subject to change. Please check the user manual for more details.

SD1 Series

General Purpose AC Variable Speed Inverter Drives



Technical Datasheet

Dimensions (mm)

| | Model | W1 | W2 | H1 | H2 | D1 | D2 |
|----------------------|-------------|----|----|-----|-----|-------|-------|
| Single Phase 110V | SD1-2.5A-11 | 80 | 60 | 185 | 175 | 140.5 | 137.3 |
| | SD1-4.2A-11 | 80 | 60 | 185 | 175 | 140.5 | 137.3 |
| | SD1-5.8A-11 | 80 | 60 | 185 | 175 | 140.5 | 137.3 |

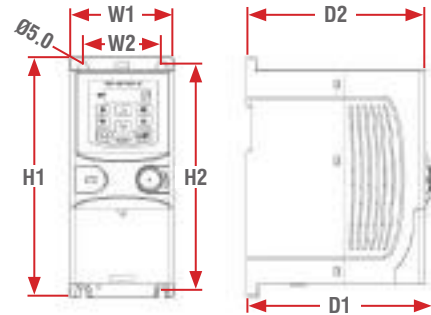
| | | | | | | | |
|----------------------|-------------|----|----|-----|-----|-------|-------|
| Single Phase 220V | SD1-2.5A-21 | 80 | 60 | 160 | 150 | 123.5 | 120.3 |
| | SD1-4.2A-21 | 80 | 60 | 160 | 150 | 123.5 | 120.3 |
| | SD1-7.5A-21 | 80 | 60 | 185 | 175 | 140.5 | 137.3 |
| | SD1-10A-21 | 80 | 60 | 185 | 175 | 140.5 | 137.3 |

NEW

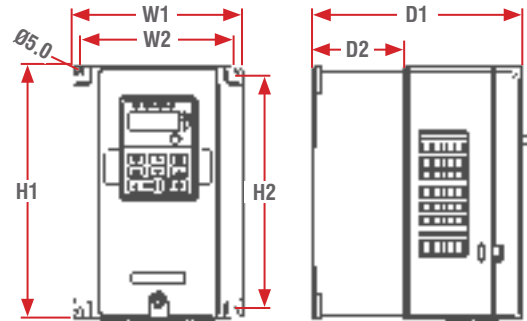
| | | | | | | | |
|---|----------------|-----|-----|-------|-------|-------|-------|
| Single Phase Input Single Phase Output 230V | SD1-4.2A-21-1 | 80 | 60 | 160 | 150 | 123.5 | 120.3 |
| | SD1-7.2A-21-1 | 80 | 60 | 185 | 175 | 140.5 | 137.3 |
| | SD1-10.2A-21-1 | 80 | 60 | 185 | 175 | 140.5 | 137.3 |
| | SD1-14A-21-1 | 80 | 60 | 185 | 175 | 140.5 | 137.3 |
| | SD1-25A-21-1 | 170 | 151 | 320 | 303.5 | 196.3 | 113 |
| | SD1-35A-21-1 | 200 | 185 | 340.6 | 328.6 | 184.3 | 104.5 |

| | | | | | | | |
|---------------------|-------------|-----|-----|-------|-------|-------|-------|
| Three Phase 220V | SD1-2.5A-23 | 80 | 60 | 185 | 175 | 140.5 | 137.3 |
| | SD1-4.2A-23 | 80 | 60 | 185 | 175 | 140.5 | 137.3 |
| | SD1-7.5A-23 | 146 | 131 | 256 | 243.5 | 167 | 84.5 |
| | SD1-10A-23 | 146 | 131 | 256 | 243.5 | 167 | 84.5 |
| | SD1-16A-23 | 146 | 131 | 256 | 243.5 | 167 | 84.5 |
| | SD1-20A-23 | 170 | 151 | 320 | 303.5 | 196.3 | 113 |
| SD1-30A-23 | 170 | 151 | 320 | 303.5 | 196.3 | 113 | |

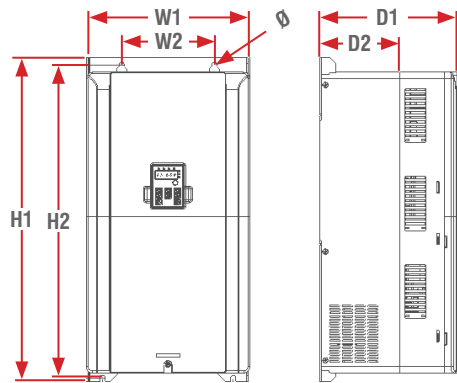
| | | | | | | | |
|---------------------|--------------|-----|-----|-------|-------|-------|-------|
| Three Phase 380V | SD1-2.5A-43 | 80 | 60 | 185 | 175 | 140.5 | 137.3 |
| | SD1-4.2A-43 | 80 | 60 | 185 | 175 | 140.5 | 137.3 |
| | SD1-5.5A-43 | 80 | 60 | 185 | 175 | 140.5 | 137.3 |
| | SD1-9.5A-43 | 146 | 131 | 256 | 243.5 | 167 | 84.5 |
| | SD1-14A-43 | 146 | 131 | 256 | 243.5 | 167 | 84.5 |
| | SD1-18.5A-43 | 170 | 151 | 320 | 303.5 | 196.3 | 113 |
| | SD1-25A-43 | 170 | 151 | 320 | 303.5 | 196.3 | 113 |
| | SD1-32A-43 | 170 | 151 | 320 | 303.5 | 196.3 | 113 |
| | SD1-38A-43 | 200 | 185 | 340.6 | 328.6 | 184.3 | 104.5 |
| | SD1-45A-43 | 200 | 185 | 340.6 | 328.6 | 184.3 | 104.5 |
| | SD1-60A-43 | 250 | 230 | 400 | 380 | 202 | 123.5 |
| | SD1-75A-43 | 250 | 230 | 400 | 380 | 202 | 123.5 |
| | SD1-92A-43 | 282 | 160 | 560 | 542 | 238 | 138 |
| | SD1-115A-43 | 282 | 160 | 560 | 542 | 238 | 138 |
| | SD1-150A-43 | 282 | 160 | 560 | 542 | 238 | 138 |
| | SD1-180A-43 | 338 | 200 | 554 | 535 | 329.2 | — |
| | SD1-215A-43 | 338 | 200 | 554 | 535 | 329.2 | — |



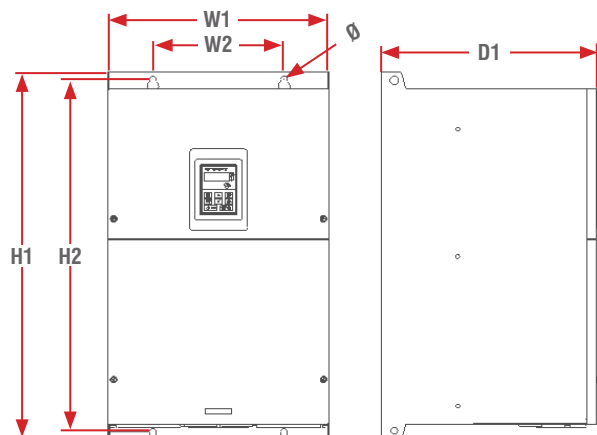
Wall mounting dimensions of 1PH 110V & 230V 0.4 to 2.2kW SD1 Inverter (unit: mm)



Wall mounting dimensions of 3PH 380V 0.4 to 37kW & 3PH 220V 1.5 to 7.5kW SD1 Inverter (unit: mm)



Wall mounting dimensions of 3PH 45 to 75kW SD1 Inverter (unit: mm)



Wall mounting dimensions of 3PH 380V 90 to 110kW SD1 Inverter (unit: mm)